
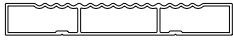

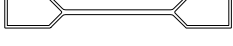
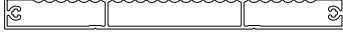
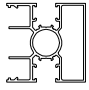
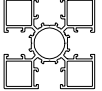
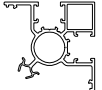
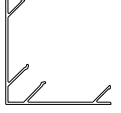
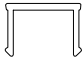


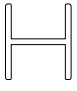
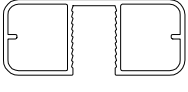
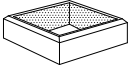
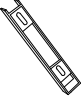
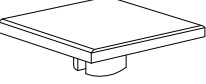
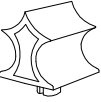
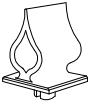
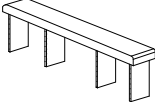

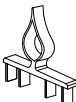
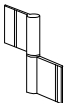
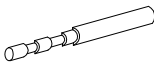

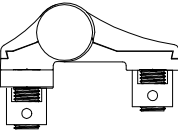
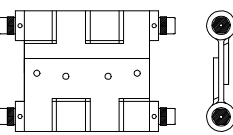
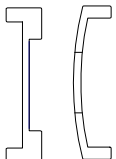


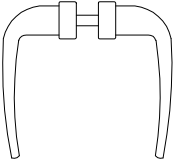
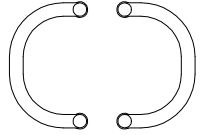
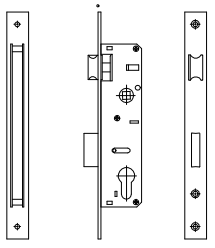
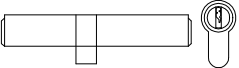
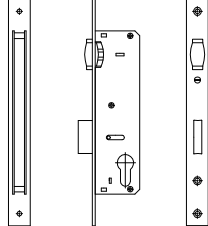
ÇİT SİSTEMİ (Fence System)

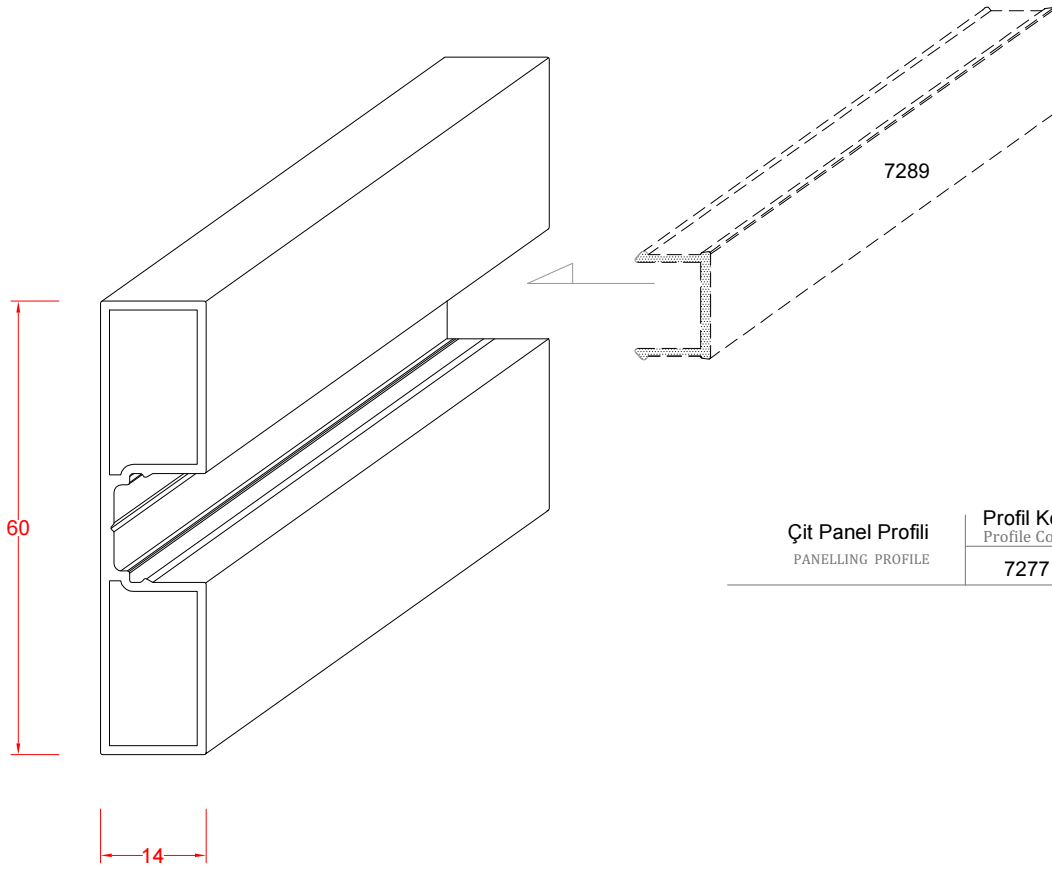
TAM ÖLÇEKLİ ALÜMİNYUM PROFİLLER
(Full Scale Aluminum Profiles)

PROFİL KESİTİ PROFILE SECTION	PROFİL KOD PROFILE CODE	PROFİL ADI PROFILE NAME	AĞIRLIK (kg/m) WEIGHT
	7277	PANEL PROFİLİ PANEL PROFILE	0,523 kg/m
	7274	PANEL PROFİLİ PANEL PROFILE	0,848 kg/m
	7275	PANEL PROFİLİ PANEL PROFILE	0,830 kg/m
	7276	PANEL PROFİLİ PANEL PROFILE	0,706 kg/m
	7290	PANEL PROFİLİ PANEL PROFILE	1,281 kg/m
	7270	DİKME PROFİLİ POLE PROFILE	1,639 kg/m
	7271	DİKME PROFİLİ POLE PROFILE	1,937 kg/m
	7272	DİKME PROFİLİ POLE PROFILE	1,376 kg/m
	7281	KAPAK (7272 PROFİL KAPAĞI) COVER (7272 PROFILE COVER)	0,580 kg/m
	7289	KAPAK (7277 PROFİL KAPAĞI) COVER (7277 PROFILE COVER)	0,098 kg/m
	7279	KAPAK (7271 PROFİL KAPAĞI) COVER (7271 PROFILE COVER)	0,175 kg/m
	7280	KAPAK (7270 PROFİL KAPAĞI) COVER (7270 PROFILE COVER)	0,246 kg/m
	7278	ADAPTÖR PROFİLİ ADAPTER PROFILE	0,220 kg/m
	12154	25x60 ÜST TUTAMAK PROFİLİ TOP HANDRAİL PROFILE	0,816 kg/m

PROFİL KESİTİ PROFILE SECTION	PROFİL KOD PROFILE CODE	PROFİL ADI PROFILE NAME	AĞIRLIK (kg/m) WEIGHT
	2021	KASA PROFİLİ FRAME PROFILE	1,264 kg/m
	2020	KANAT PROFİLİ SASH PROFILE	1,339 kg/m
	701	ADAPTÖR PROFİLİ ADAPTER PROFILE	0,380 kg/m
	455	ÇITA PROFİLİ BEAD PROFILE	0,207 kg/m
	454	ÇITA PROFİLİ BEAD PROFILE	0,227 kg/m
	700	KASA-KANAT PROFİLİ FRAME-SASH PROFILE	0,370 kg/m
	410	KÖŞE TAKOZU PROFİLİ CORNER WEDGE PROFILE	6,094 kg/m
	F60-20	PK.2020 2020 COVER	-
	F60-21	PK.2021 2021 COVER	-

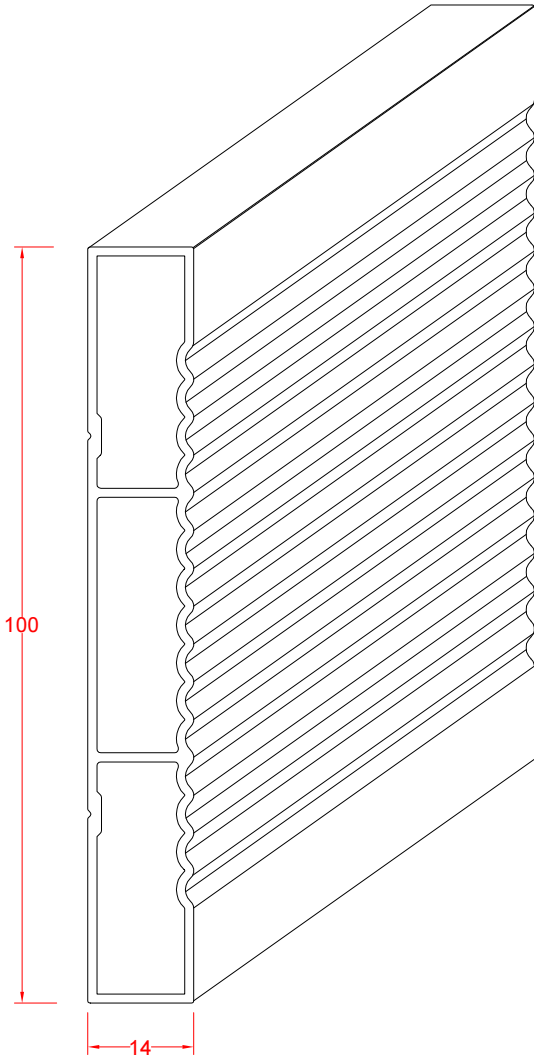
AKSESUAR ACCESSORY	STOK KODU REFERENCE CODE	AKSESUAR ADI DESCRIPTION	AKSESUAR KODU PRODUCT CODE	PAKET PACK
	07 092200	60x60 DİKME FLANŞI 60:60 POLE FLANGE	AB 10-01	
	07 092215	14x100 FLANŞI 14:100 FLANGE	AB 10-02	
	07 092201	60x60 DİKME TAPASI 60:60 POLE PLUG	AB 11-01	
	07 092203	60x60 CAM DEKORLU TAPA 60:60 GLASS DECORATED PLUG	AB 11-02	
	07 092210	60x60 DAMLA DEKORLU TAPA 60:60 DROP DECORATED PLUG	AB 11-03	
	07 092202	14x100 TAPA 14:100 PLUG	AB 11-04	
	07 092205	14x100 CAM DEKORLU TAPA 14:100 GLASS DECORATED PLUG	AB 11-05	
	07 092206	14x100 DAMLA DEKORLU TAPA 14:100 DROP DECORATED PLUG	AB 11-06	
	07 092235	KAPI MENTEŞE DOOR HINGE	AB 11-07	
	07 010190	ANKRAJ 20CM ANCHORAGE	A 24-05	
	07 081042	14x100 CAM DEKORLU TAPA 14:100 GLASS DECORATED PLUG	AK 10-42	
	01 011050	İÇE VE DIŞA AÇILIR BİNİLİ KAPI MENTEŞE(ELOKSAL) INWARD AND OUTWARD OPENING HINGE (ANODIZED)	KM.050	
	01 011051	İÇE VE DIŞA AÇILIR BİNİLİ KAPI MENTEŞE(BEYAZ) INWARD AND OUTWARD OPENING HINGE (WHITE)	KM.051	
	01 011052	İÇE VE DIŞA AÇILIR BİNİLİ KAPI MENTEŞE(RENKLİ) INWARD AND OUTWARD OPENING HINGE (COLOURED)	KM.052	
	01 012206	ÇARPMA KAPI MENTEŞE(ELOKSAL) OUTWARD OPENING OVERLAPPING HINGE (ANODIZED)	ÇM.206	
	01 012202	ÇARPMA KAPI MENTEŞE(BEYAZ) OUTWARD OPENING OVERLAPPING HINGE (WHITE)	ÇM.202	
	01 060101	C60 KİLİT KARŞILIĞI LOCK STRIKER	KK.101	

AKSESUAR ACCESSORY	STOK KODU REFERENCE CODE	AKSESUAR ADI DESCRIPTION	AKSESUAR KODU PRODUCT CODE	PAKET PACK
	01 040902	FORZA KAPI KOLU (BEYAZ) FORZA DOOR HANDLE (WHITE)	FK.902	
	01 040903	FORZA KAPI KOLU (RENKLI) FORZA DOOR HANDLE (COLOURED)	FK.903	
	01 040904	FORZA KAPI KOLU (NATUREL) FORZA DOOR HANDLE (NATURAL)	FK.904	
	01 030901	YARIM AY KAPI KOLU (ELOKSALLI) DOOR HANDLE (ANODIZED)	YA.901	
	05 011001	25 MM C60 DİLLİ KİLİT BOLT LOCK	DK.001	
	05 011101	62 MM BAREL 62 MM CYLINDER	BR.101	
	05 010405	25 MM C60 MAKARALI KİLİT ROLLED LOCK	MK.405	



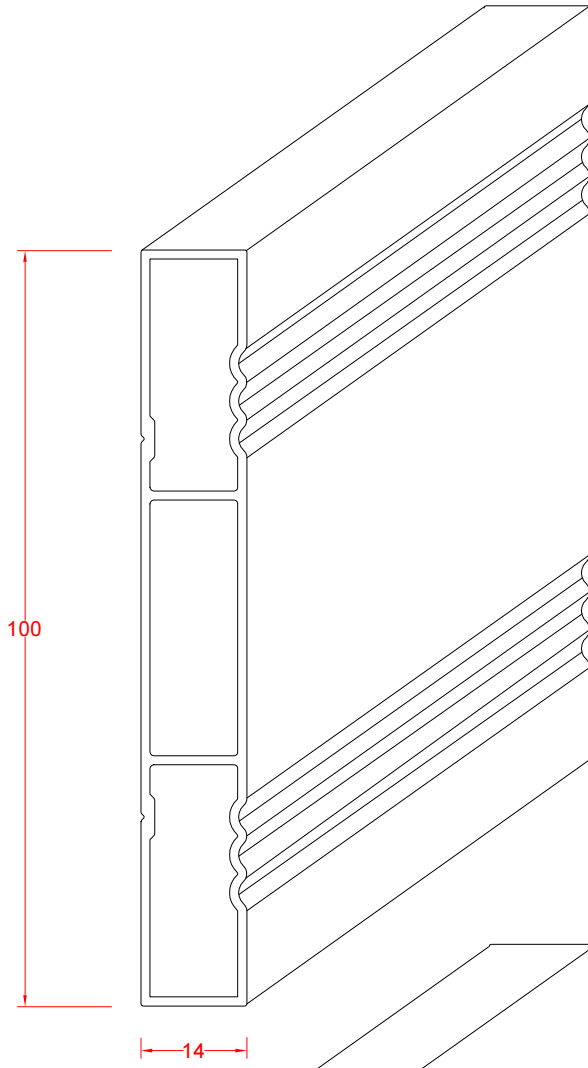
Çit Panel Profili
PANELLING PROFILE

Profil Kodu Profile Code	(kg/mt) Weight
7277	0,523



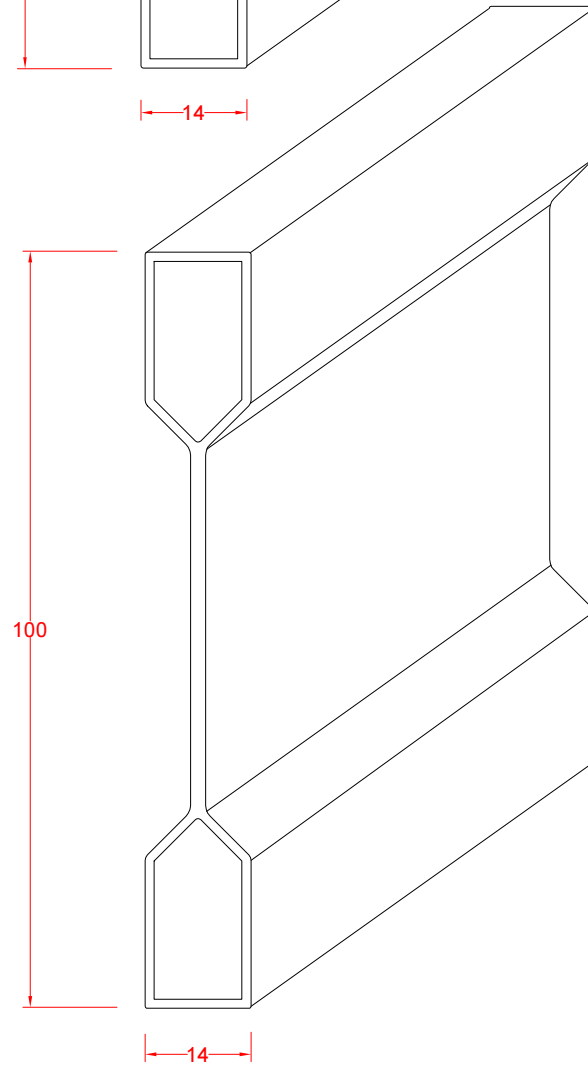
Çit Panel Profili
PANELLING PROFILE

Profil Kodu Profile Code	(kg/mt) Weight
7274	0,848



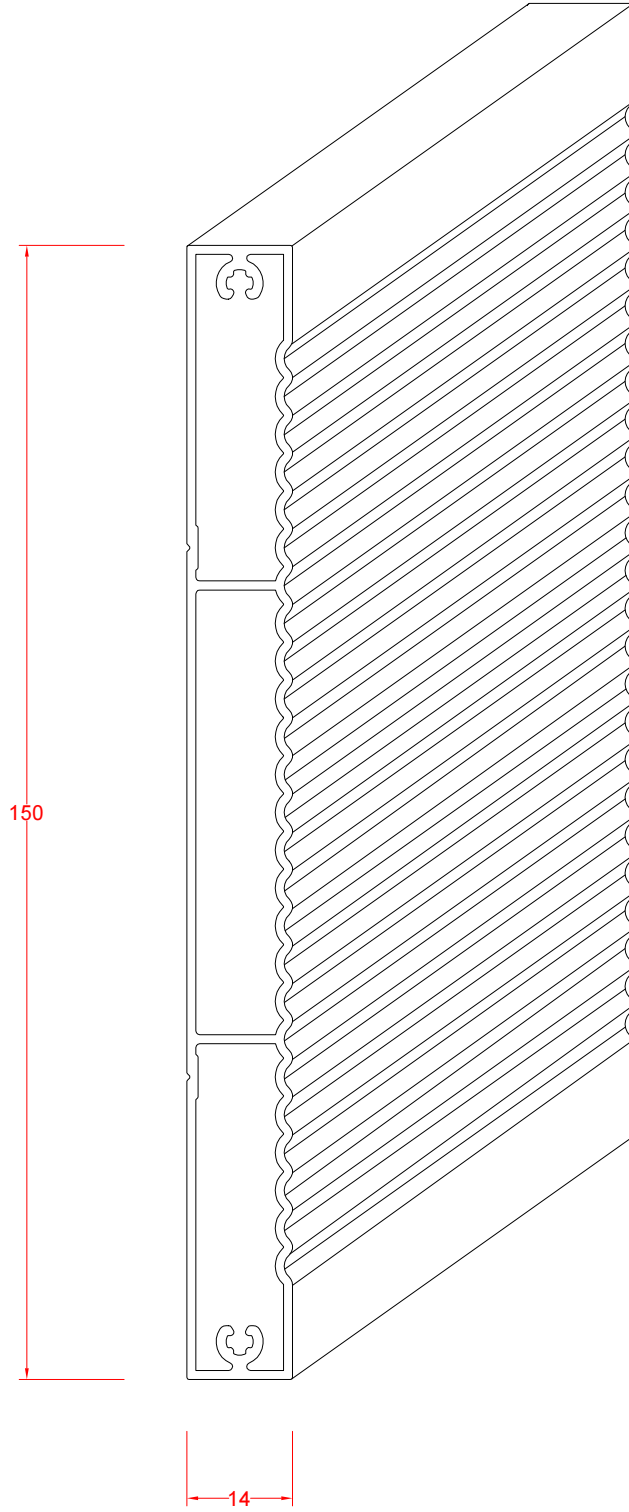
Çit Panel Profili
PANELLING PROFILE

Profil Kodu Profile Code	(kg/mt) Weight
7275	0,830



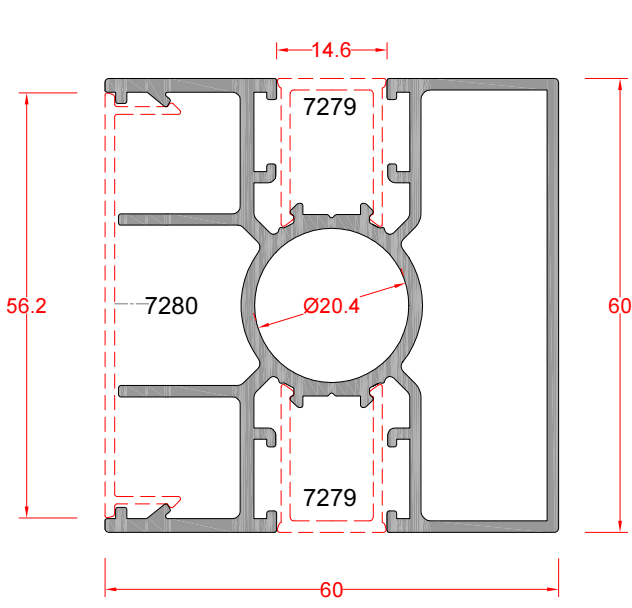
Çit Panel Profili
PANELLING PROFILE

Profil Kodu Profile Code	(kg/mt) Weight
7276	0,706

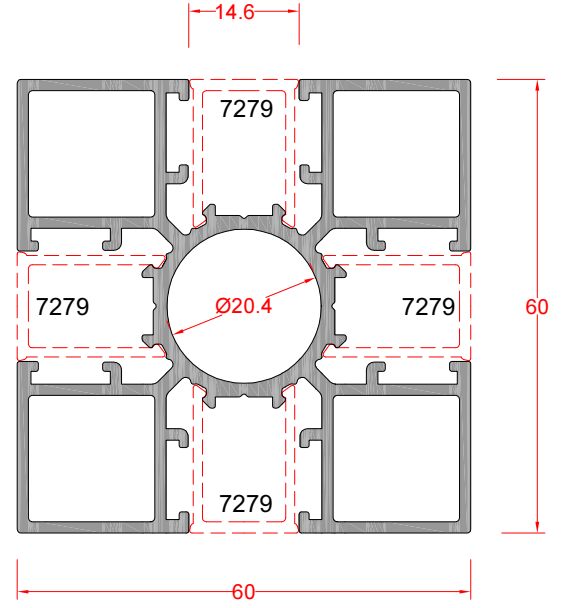


Çıt Panel Profili
PANELLING PROFILE

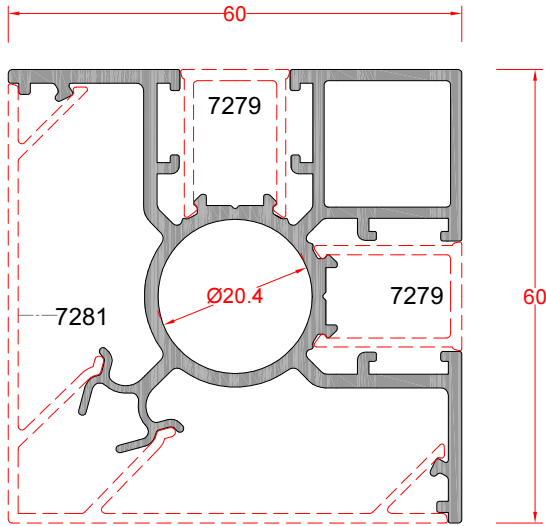
Profil Kodu Profile Code	(kg/mt) Weight
7290	1,281



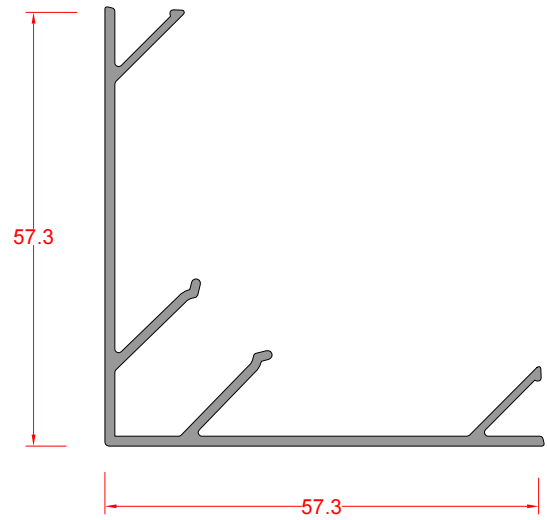
Dikme Profili	Profil Kodu	(kg/mt)
POLE PROFILE	Profile Code	Weight
	7270	1,639



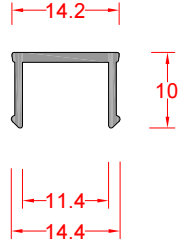
Dikme Profili	Profil Kodu	(kg/mt)
POLE PROFILE	Profile Code	Weight
	7271	1,937



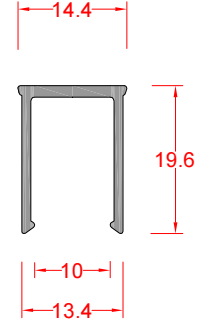
Dikme Profili	Profil Kodu	(kg/mt)
POLE PROFILE	Profile Code	Weight
	7272	1,376



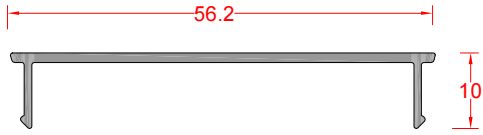
Kapak Profili	Profil Kodu	(kg/mt)
(7272 Profil Kapağı)	Profile Code	Weight
COVER (7272 PROFILE COVER)	7281	0,580



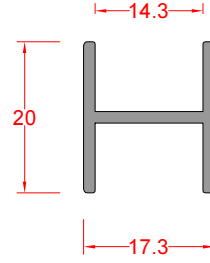
Kapak Profili (7277 Profil Kapağı)	Profil Kodu Profile Code	(kg/mt) Weight
COVER (7277 PROFILE COVER)	7289	0,098



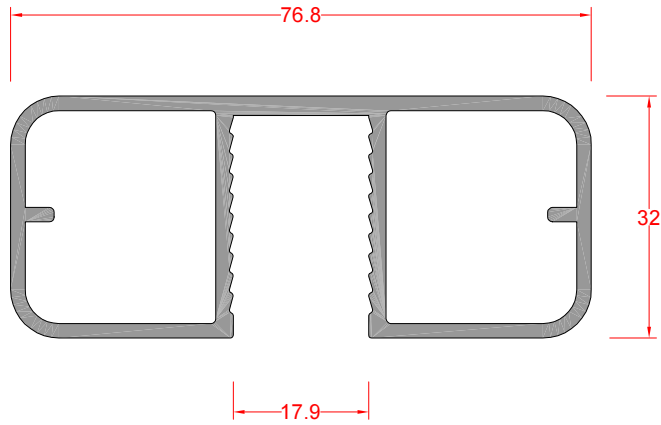
Kapak Profili (7271 Profil Kapağı)	Profil Kodu Profile Code	(kg/mt) Weight
COVER (7271 PROFILE COVER)	7279	0,175



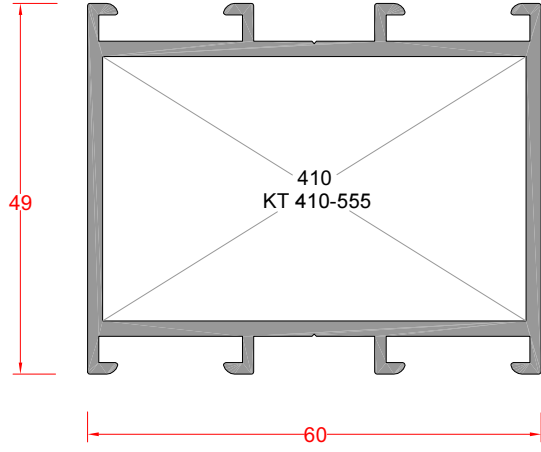
Kapak Profili (7270 Profil Kapağı)	Profil Kodu Profile Code	(kg/mt) Weight
COVER (7270 PROFILE COVER)	7280	0,246



Adaptör Profili ADAPTER PROFILE	Profil Kodu Profile Code	(kg/mt) Weight
	7278	0,220

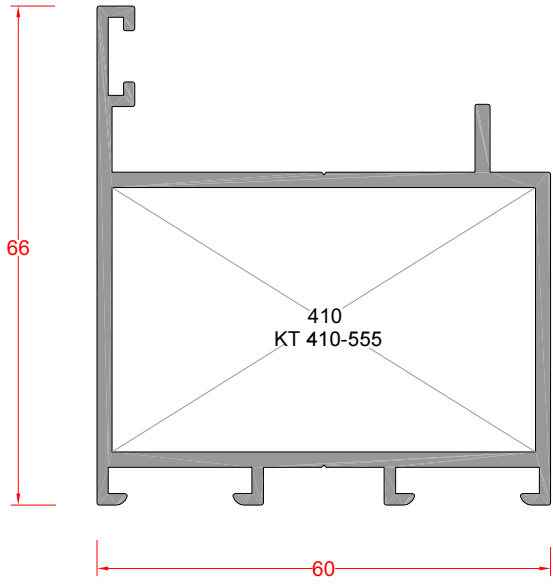


25x60 Üst Tutamak Profili TOP HANDRAIL PROFILE	Profil Kodu Profile Code	(kg/mt) Weight
	12154	0,816



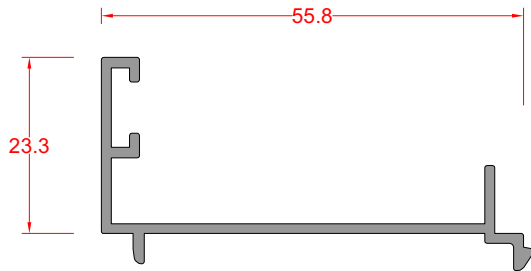
Kasa Profili
SASH PROFILE

Profil Kodu Profile Code	(kg/mt) Weight
2021	1,264



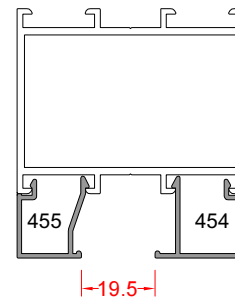
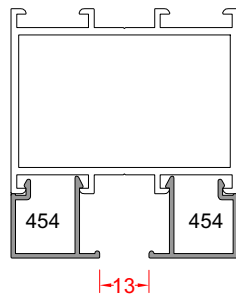
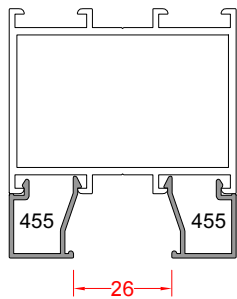
Kanat Profili
FRAME PROFILE

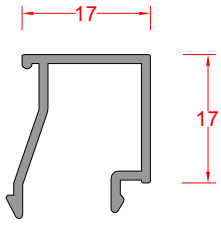
Profil Kodu Profile Code	(kg/mt) Weight
2020	1,339



Adaptör Profili
ADAPTER PROFILE

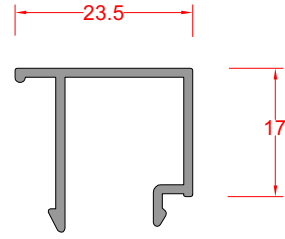
Profil Kodu Profile Code	(kg/mt) Weight
701	0,380





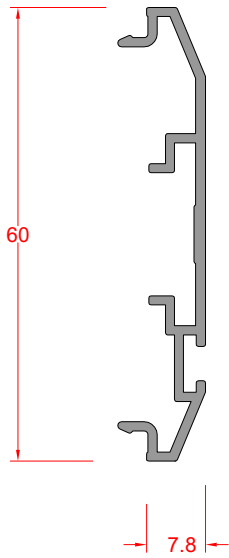
Çıta Profili
BEAD PROFILE

Profil Kodu Profile Code	(kg/mt) Weight
455	0,207



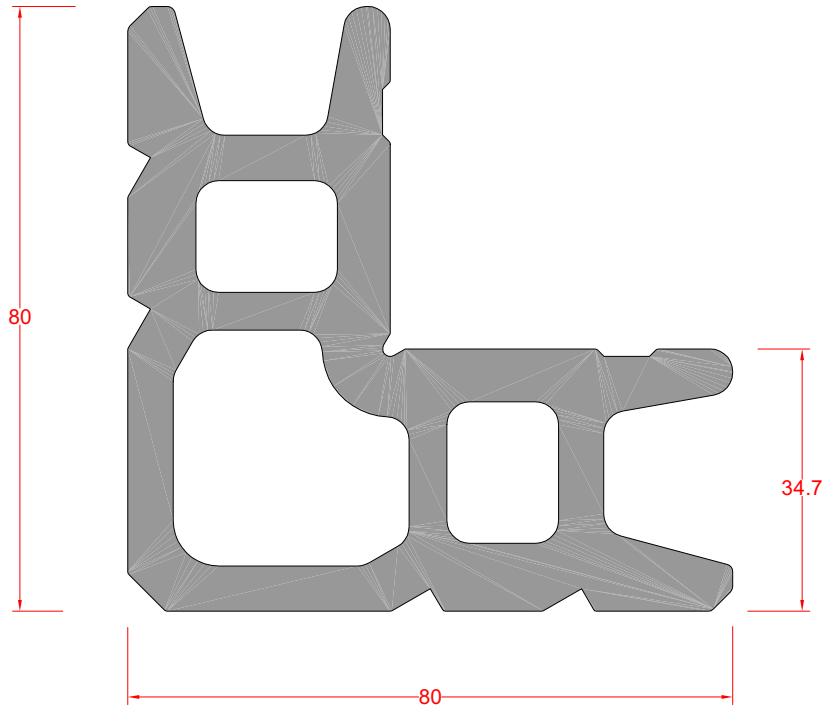
Çıta Profili
BEAD PROFILE

Profil Kodu Profile Code	(kg/mt) Weight
454	0,227



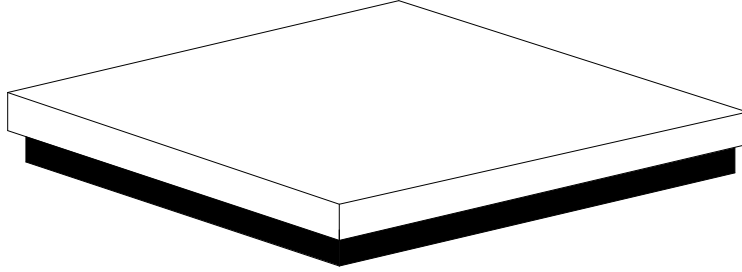
Kasa-Kanat Profili
FRAME-SASH PROFILE

Profil Kodu Profile Code	(kg/mt) Weight
700	0,370



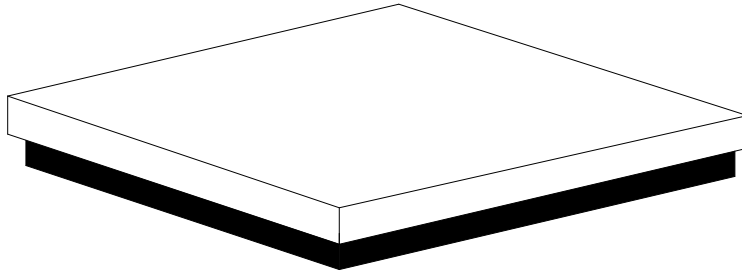
Köşe Takozu Profili
CORNER WEDGE PROFILE

Profil Kodu Profile Code	(kg/mt) Weight
410	6,094



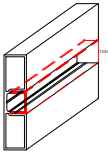
2020 Kapak
2020 COVER

Profil Kodu Profile Code	(kg/mt) Weight
F60-20	-

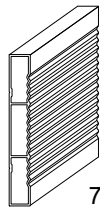


2021 Kapak
2021 COVER

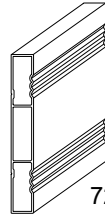
Profil Kodu Profile Code	(kg/mt) Weight
F60-21	-



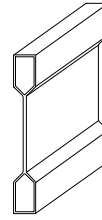
7277



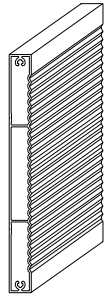
7274



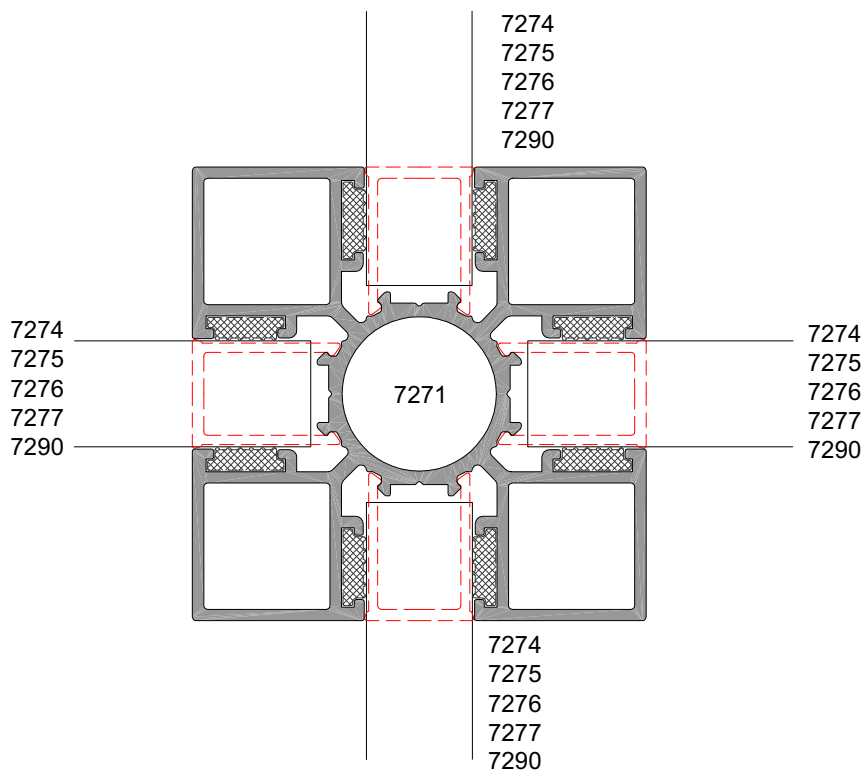
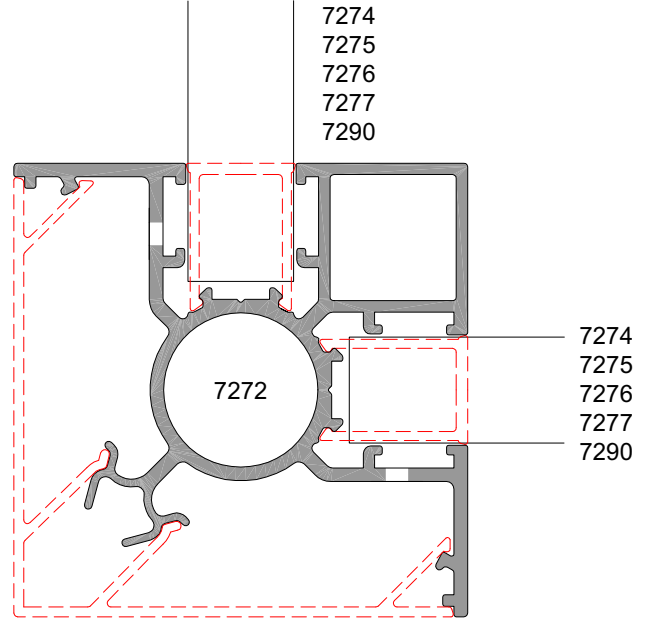
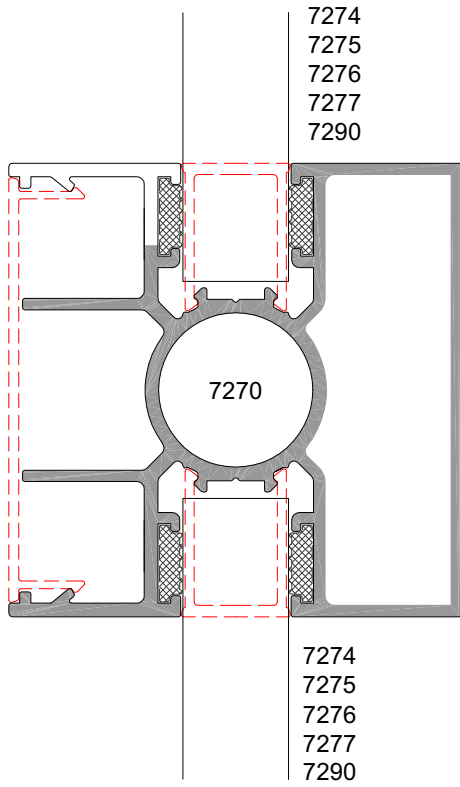
7275

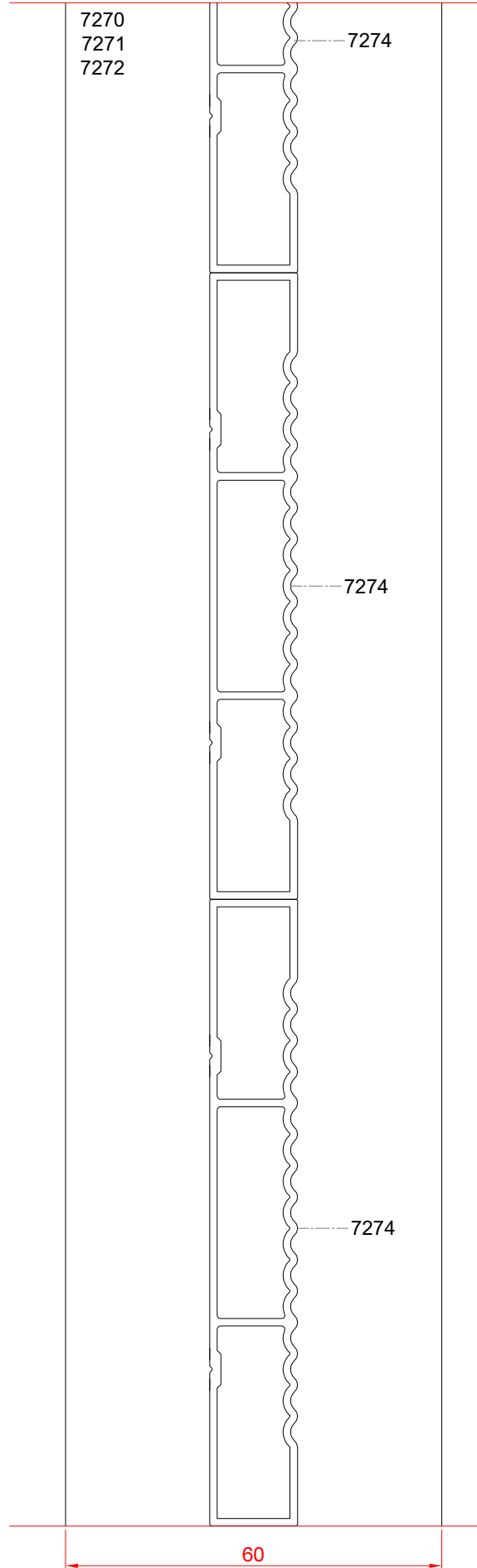
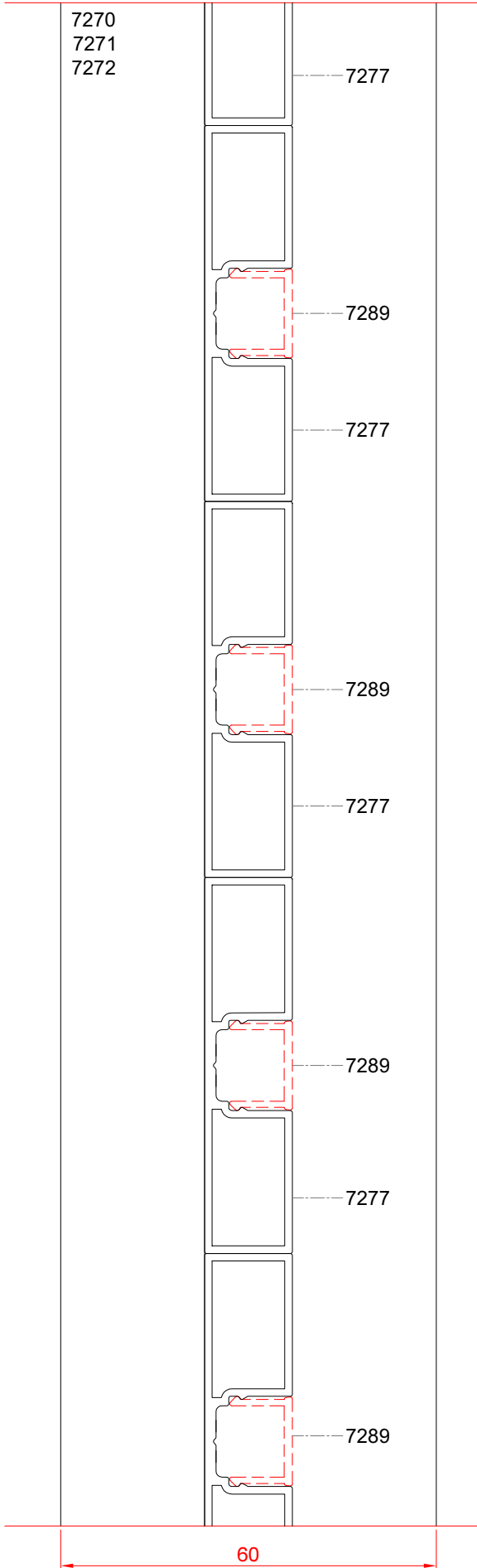


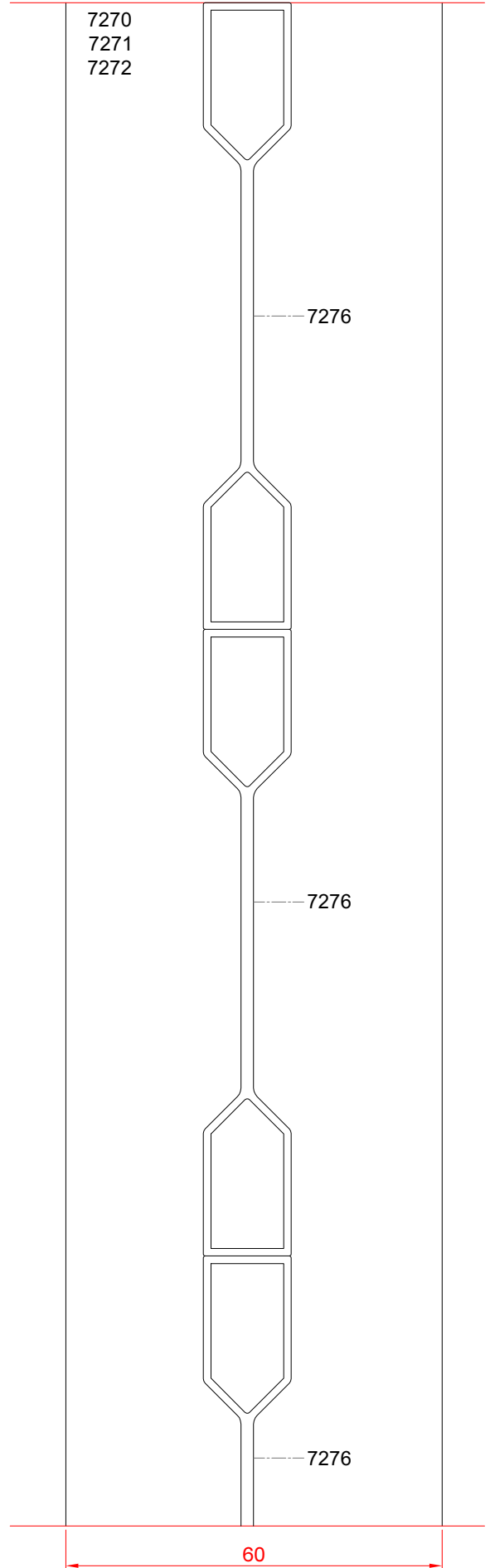
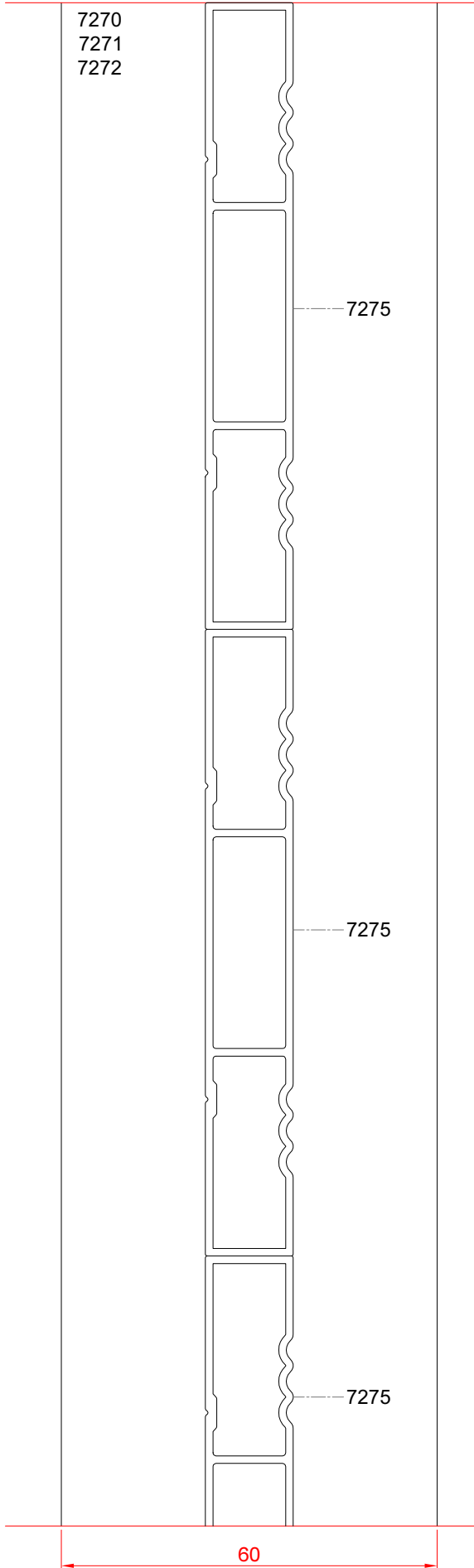
7276

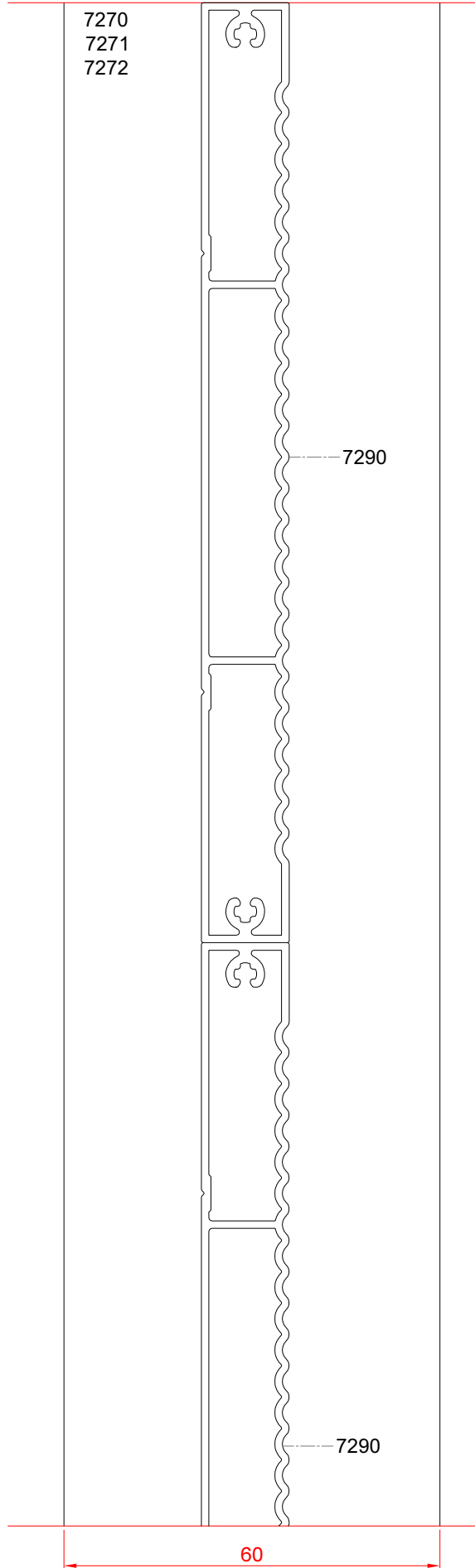


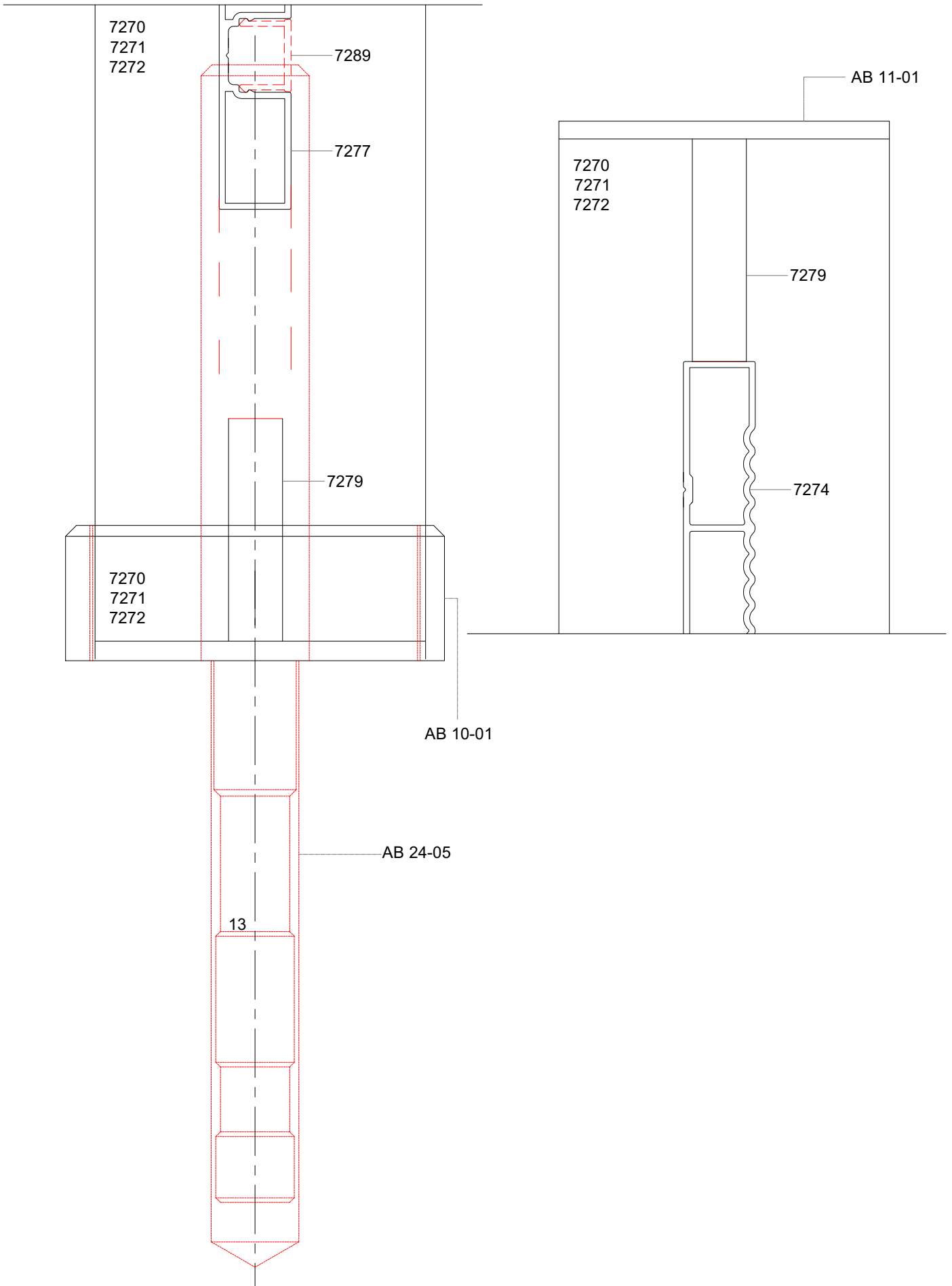
7290

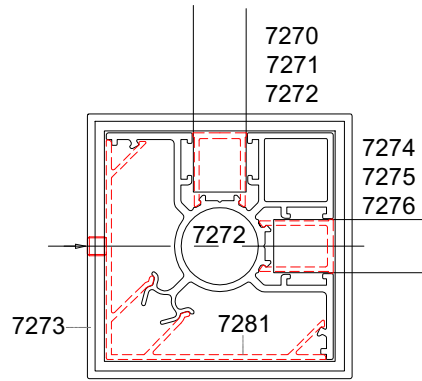




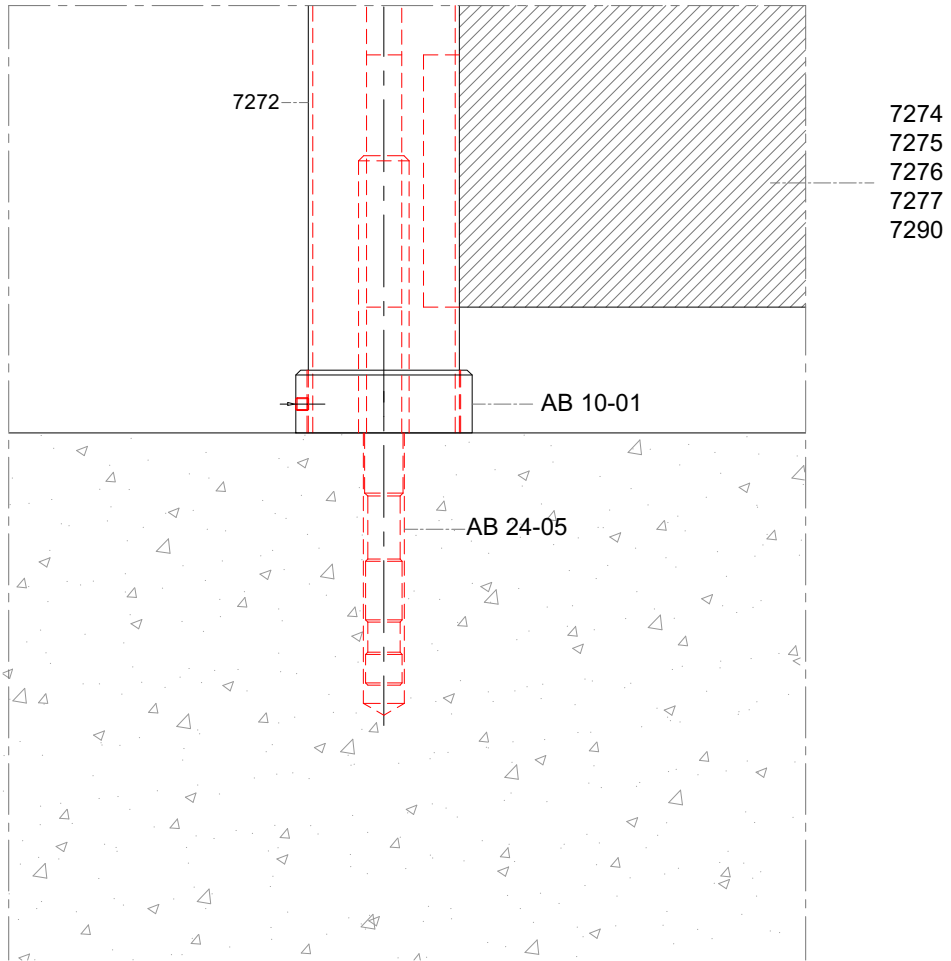


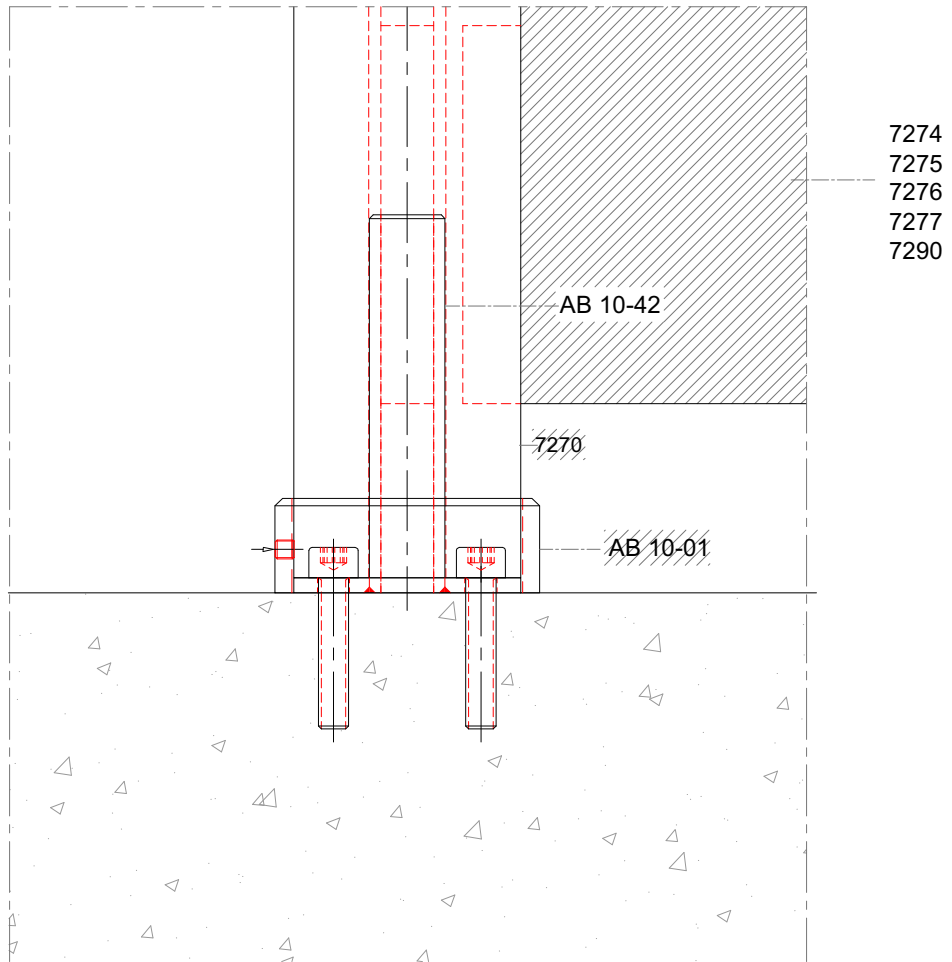
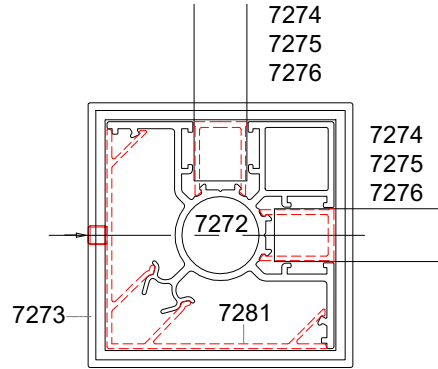


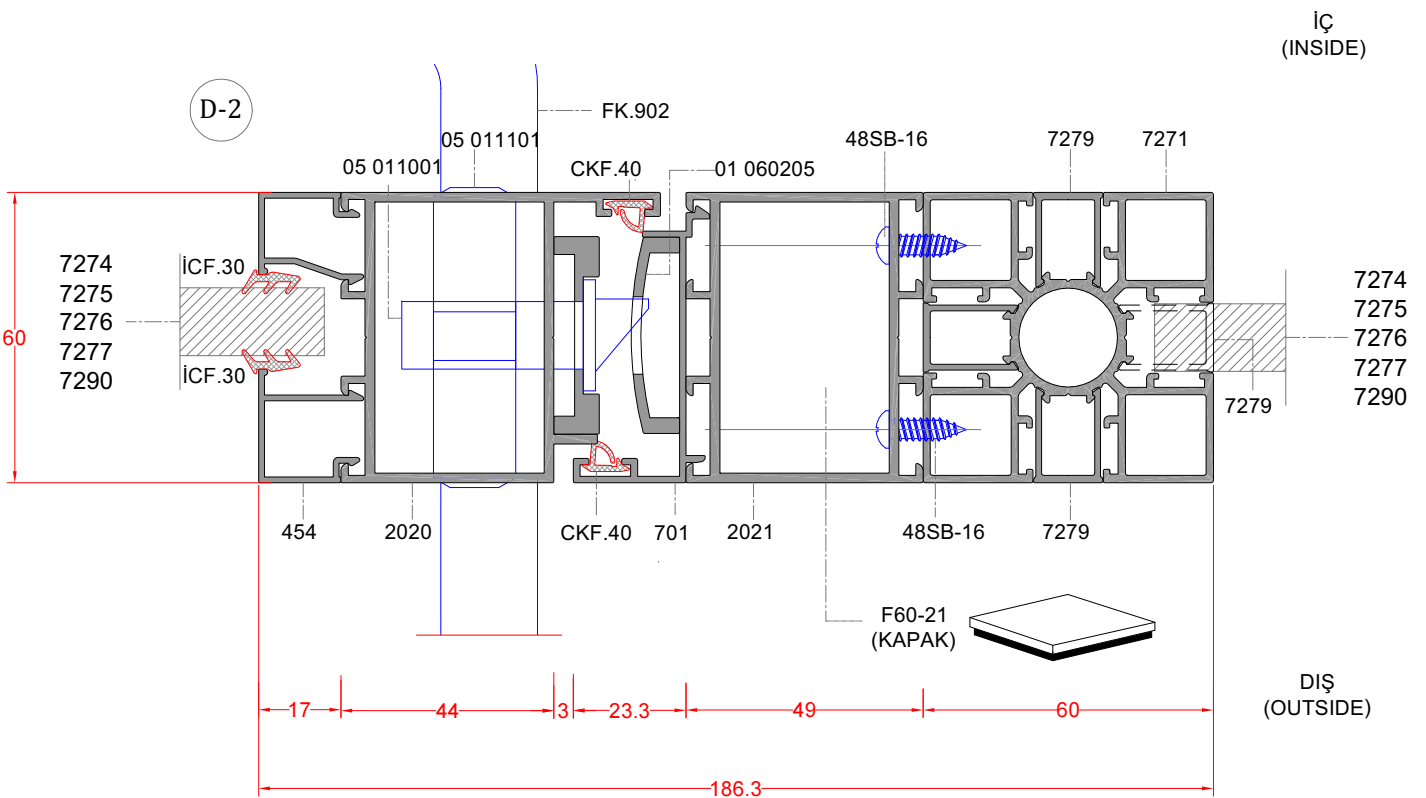
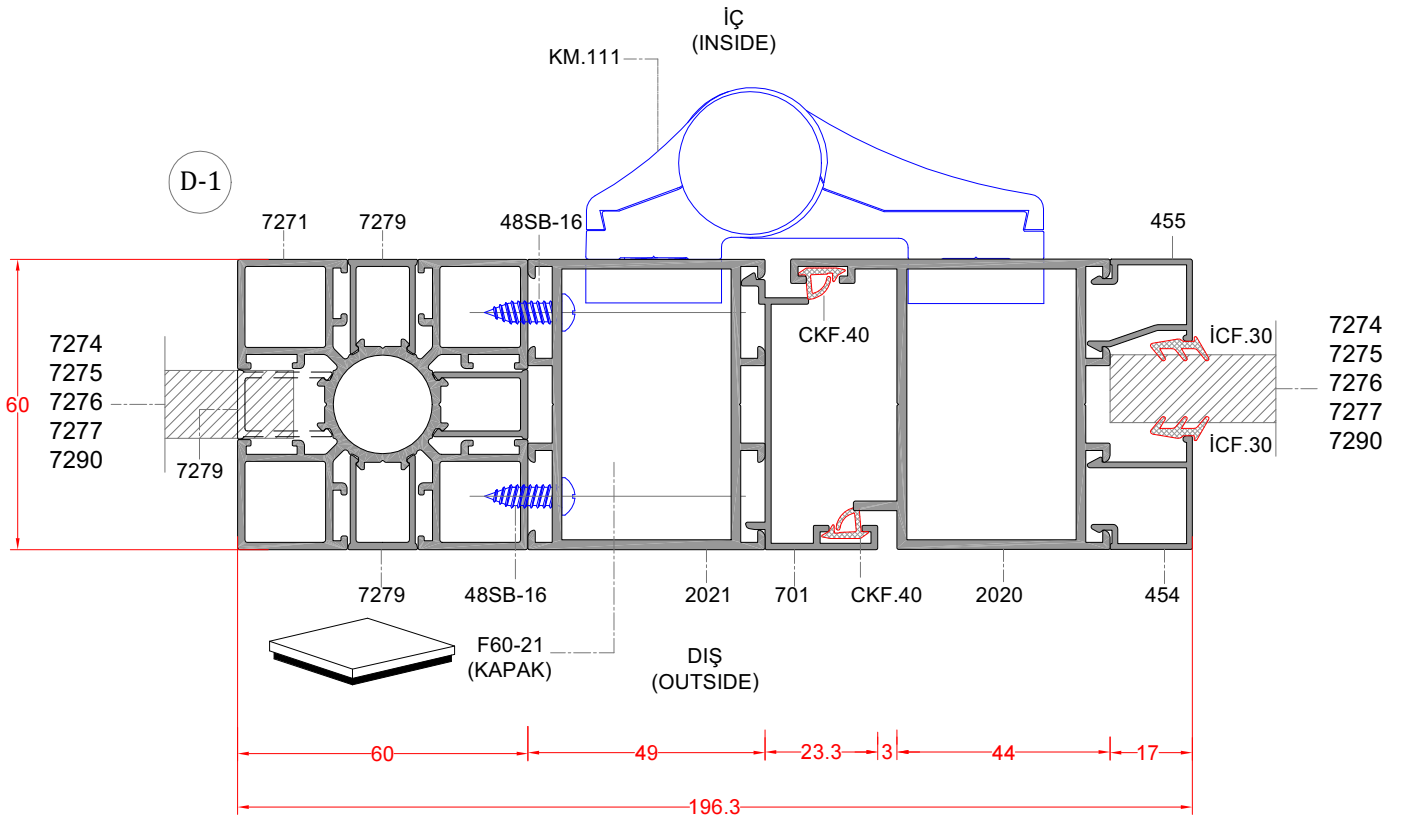
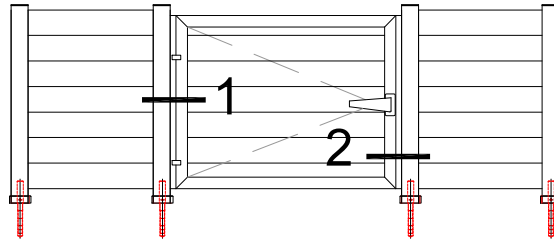


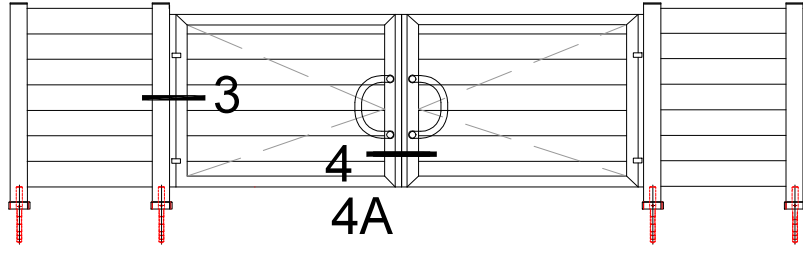


A - DETAYI
Ö : 1/3









İÇ
(INSIDE)

