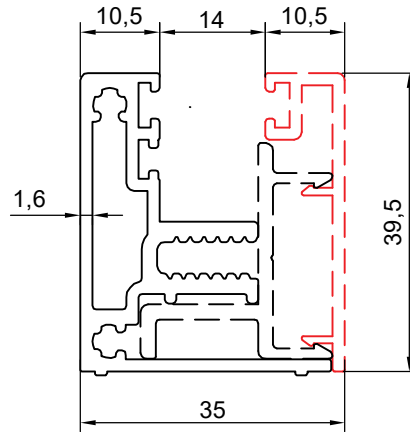
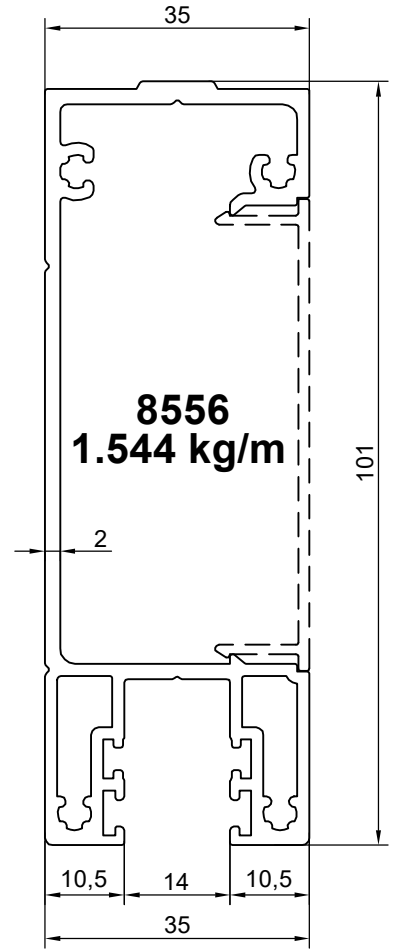


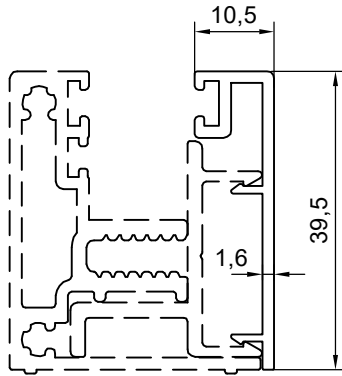
**8550**  
**0.952 kg/m**



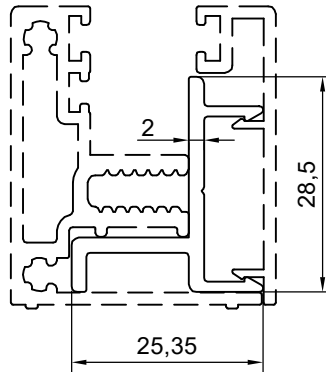
**8551**  
**0.788 kg/m**



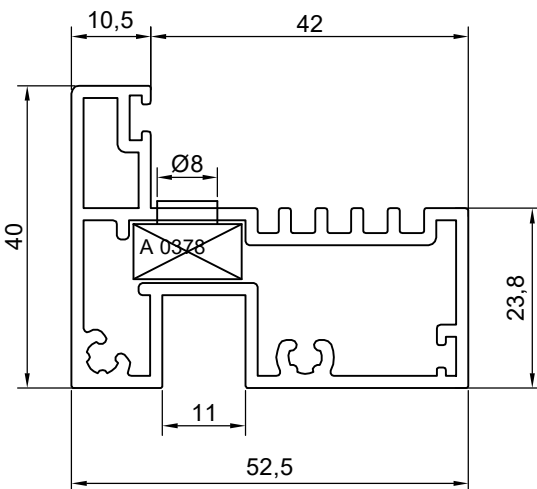
**8556**  
**1.544 kg/m**



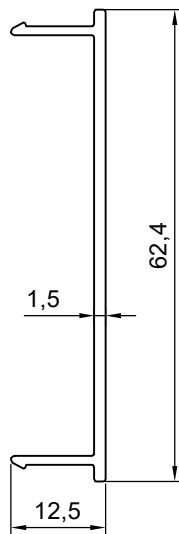
**8552**  
**0.281 kg/m**



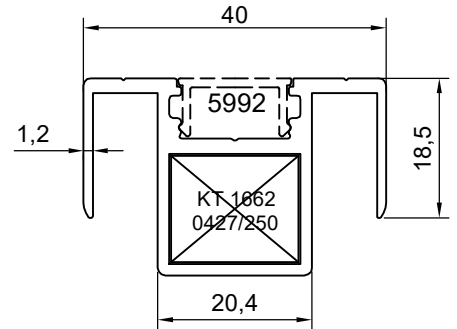
**8553**  
**0.325 kg/m**



**8554**  
**1.143 kg/m**



**8555**  
**0.326 kg/m**



**8557**  
**0.623 kg/m**

**5992**  
**0.080 kg/m**

